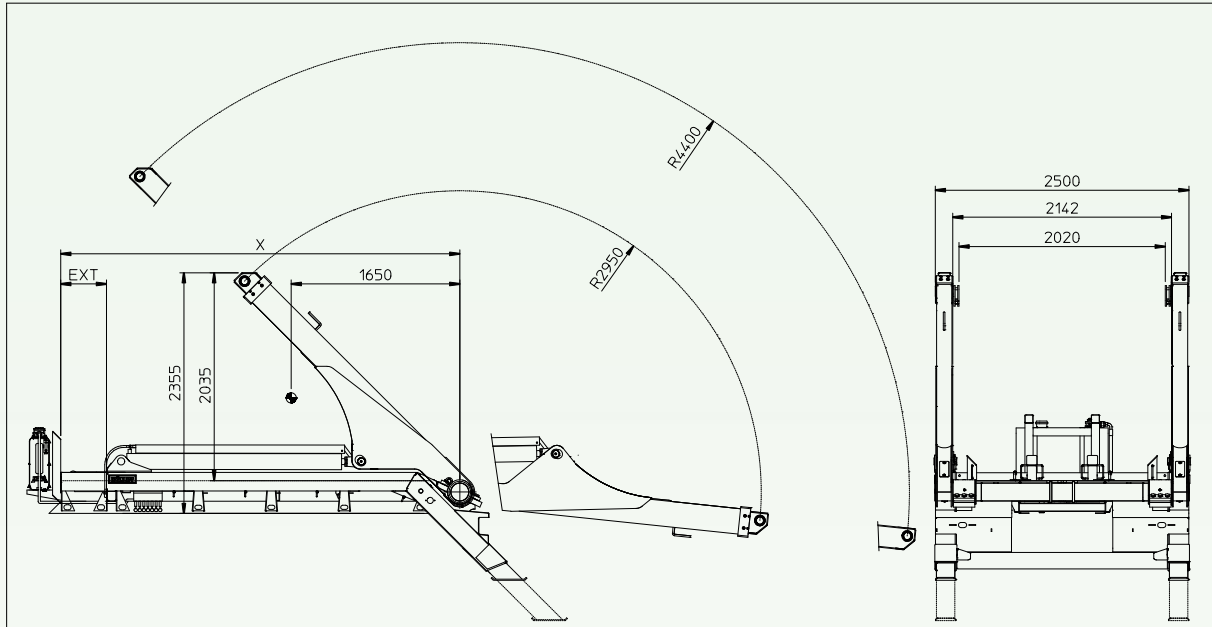


SKIP LOADER

GROUP



NG 2014 TA **XL** Lifting arm



TYPE: XL= 1450 mm	NG2014TA XL	NG2014TA XL + 250 EXT	NG2014TA XL + 450 EXT	NG2014TA XL + 650 EXT	NG2014TA XL + 850 EXT	NG2014TA XL + 1350 EXT
X (mm)	3.470	3.720	3.920	4.120	4.320	4.820
Lifting capacity (Kg)						
Arm length 2950 mm	14.000	14.000	14.000	14.000	14.000	14.000
Arm length 4400 mm ³	9.300	9.300	9.300	9.300	9.300	9.300
Lifting strength 800mm sub floor (Kg)						
Arm length 2950 mm	9.500	9.500	9.500	9.500	9.500	9.500
Arm length 4400 mm ³	6.300	6.300	6.300	6.300	6.300	6.300
Approx. Useable loading capacity (depending on chassis height) (Kg)	±14.000	±14.000	±14.000	±14.000	±14.000	±14.000
Standard weight (Kg) ¹	±2.875	±2.955	±3.025	±3.035	±3.040	±3.070
Pick up -time ² (s)	33	33	33	33	33	33
Unloading-time ² (s)	27	27	27	27	27	27
Jack legs out/in ² (s)	8	8	8	8	8	8
Telescopic arm out/in ² (s)	11	11	11	11	11	11
Fast off load empty container ² (s)	16	16	16	16	16	16

¹ Rough estimation based on a standard system, incl. sub frame, excl options.

² Rough estimation based on: PTO type C, pump 80 l/min., motor 1200 rpm, PTO transmission i = 1.0.

³ Based on lifting arms under an angle of 15°